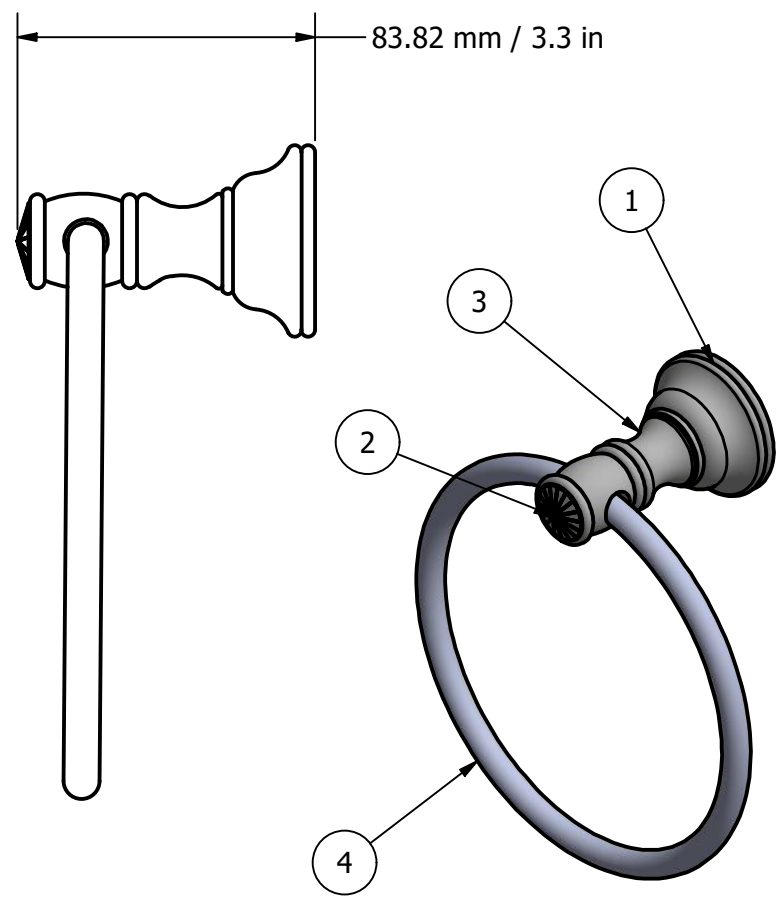
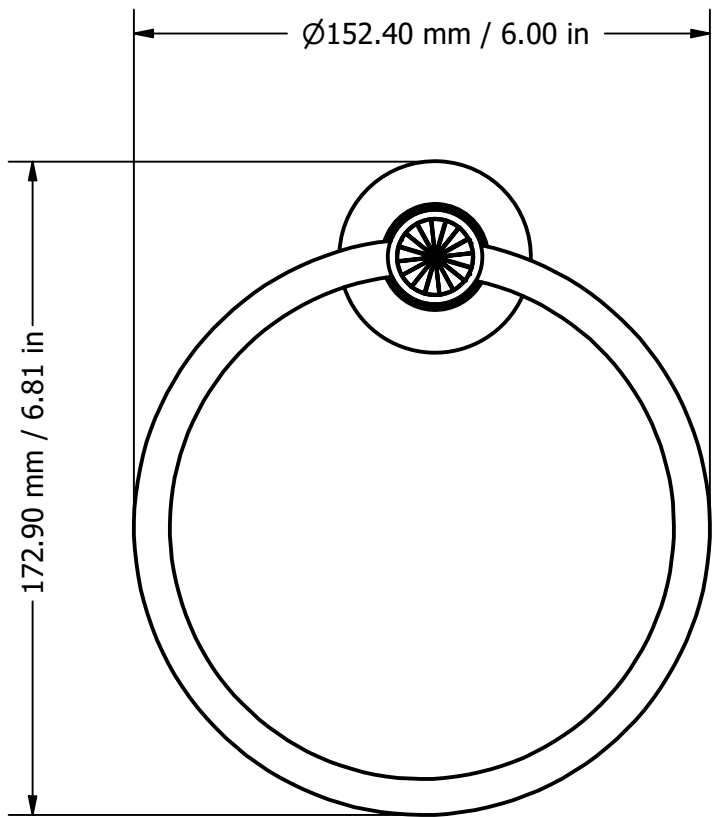


2

1

PARTS LIST			
ITEM	QTY	PART NUMBER	DESCRIPTION
1	1	TBBS-2	BACKPLATE
2	1	CRYSTCAP-20	CRYSTAL CAP
3	1	RGPS-2	HUB
4	1	TRMT-6	RING

B



B

A

A

UNLESS OTHERWISE SPECIFIED	
.X	± .3mm
.XX	± .15mm
.XXX	± .008mm

UNIT IS IN MM.

**APPROVED FOR PRODUCTION**  
 By: RICHARD PAUL  
 Date: 2-14-20

DRAWN 2-14-20 IM	MATERIAL: BRASS	FINISH	TBD
CHECKED 2-14-20 P.D.	DESCRIPTION:	QTY	TBD
APPROVED 2-14-20 R.A.	Carolina Crystal Collection Towel Ring	DRAWING NO.	REV
		CC-16	0
		SCALE 1.5:1	SHEET: 1 OF 1 A4

2

1